



Eco-Smart Food Waste Dryer - ES60L

The Eco-Smart Food Waste Dryer dries all types of food waste, whether kitchen preparation waste, post-consumer waste or other types of mixed food production waste overnight, reducing its volume and weight by 80 - 95%, eliminating bacteria and smells.

A nasty, smelly waste stream can be reduced substantially in volume and weight in a matter of a few hours and turned into a sterile, dry, clean, manageable granulated powder which can be composted, sent for anaerobic digestion or burned in waste-to-energy plants.



Benefits

Up to 95% reduction in waste volumes, weights and disposal costs

No food waste down the drain

All food waste types accepted

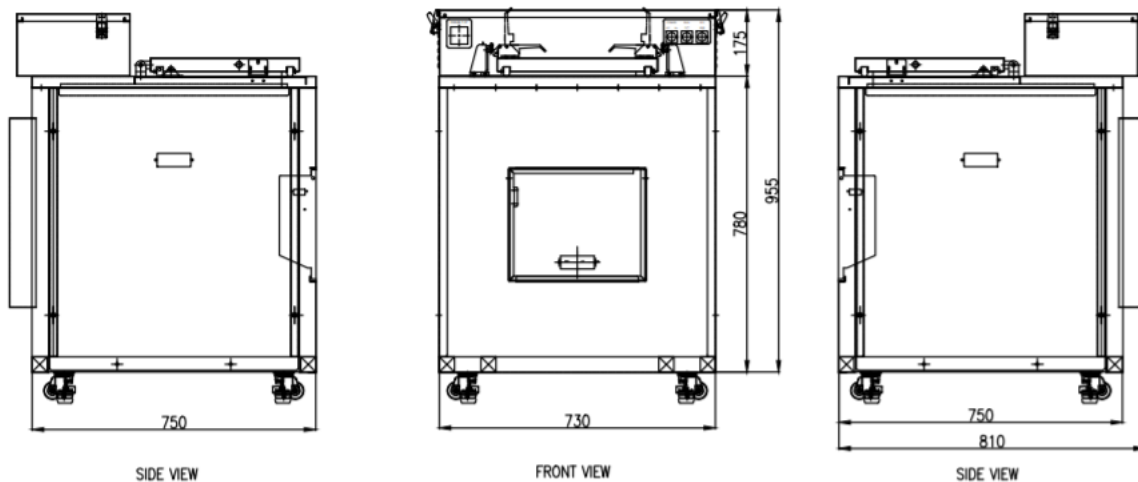
Eliminate risks from vermin, pests and smells

Simple 'plug and play' solution

No more blocked drains

Eco-Smart Food Waste Dryer - ES60L

| | |
|---------------------------|--|
| Model | ES60L |
| Capacity | Up to 40kg per day |
| Typical cycle time | 20kg of food waste: 10-14 hours 40kg of food waste: 16-20 hours |
| Dimensions (D x W x H) mm | 810 x 730 x 972mm |
| Power Required | Single phase, 220V, 16A |
| Weight of machine | 190kg |



The Eco-Smart Food Waste Dryer accepts all types of mixed food waste (except large knuckle bones).

Fruit; vegetables, fruit and vegetable peels; eggs and eggshells; fish; fish heads and guts; meat; poultry; rice; pasta; bread; pastry; shellfish including mussels; tea bags and tea; coffee grounds and coffee; milk; fruit juice; gravies; wine; beer.

You will need a 1-phase power socket within 2m and a standard floor or PVC sink drain within 2m. The unit should be sited indoors or in a shelter to protect it from the elements. Speak to us if you think your food waste or your premises are unusual.

Eco-Smart is distributed in the UK and Ireland by Bergmann Direct Ltd. www.foodwastedryer.co.uk is the property of Bergmann Direct Ltd.

